

”PPC” Fire stop collar Simpel, fast and flexible.



Intumescent collar "PPC", modular system

Design

For the sealing of combustible pipes, fire-resistant F90 according to ÖNORM B3800 fire-resistant 4 hrs. (insulation) according to BS 476/20.

Metal ring made from 0,5 mm stainless steel with insert from heat-expanding (intumescent) special material.

The casing of the collar is made from cold rolled stainless sheet steel, material no. 1.4016 equals EN X6Cr17 resp. AISI/ASTM 430 resp. BS430. This type of stainless steel is magnetic!



Function

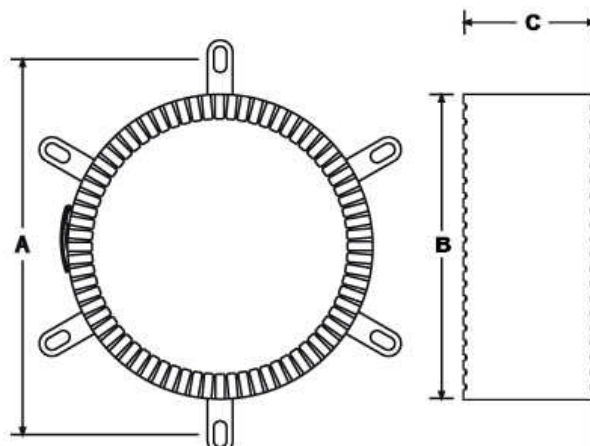
In case of fire the entire cross section of pipe is closed, thus preventing the passing through of fire and smoke.

Application

Fire-resistant sealing of synthetic pipes of water lines, pneumatic systems, ventilation pipes, within chemical and laboratory areas in fire-compartment walls and floors up to fire resistance class F90.

Dimensions and installation sizes

Collar	Diameter of pipe (mm)	Space for bores (A)	Outer diameter (B)	Depth of collar in mm (C)	Number of fixing brackets
PPC/400-25	22-25	95	38	60	2
PPC/400-32	28-32	104	41	60	2
PPC/400-40	35-40	108	52	60	2
PPC/400-48	40-48	119	59	60	2
PPC/400-55	50-55	124	74	60	3
PPC/400-68	63-68	134	84	60	3
PPC/400-82	75-82	150	100	60	3
PPC/400-110	90-110	160	134	60	4
PPC/400-125	120-125	180	148	60	4
PPC/400-135	130-135	192	158	60	4
PPC/400-160	160	234	200	60	6
PPC/400-200	200	315	255	190	7
PPC/400-250	250	365	305	190	8
PPC/400-315	315	415	345	190	9
PPC/400-350	350	450	390	190	12
PPC/400-400	400	500	440	190	13



Advantage for you

Simple handling and installation, subsewuent application is possible, low installation depth of only 60 mm, low material thickness, therefore nearly always applicable. Little space required!

Technical modifications reserved

08-11-241